

Cabinet "U" handles

Aluminium

SPECIFICATION

Types

- Type **A**: Mounting from the back (threaded blind bore)
- Type **B**: Mounting from the operator's side

Aluminium pressure die casting

plastic coated

black, RAL 9005, textured finish **SW**

silver, RAL 9006, textured finish **SR**

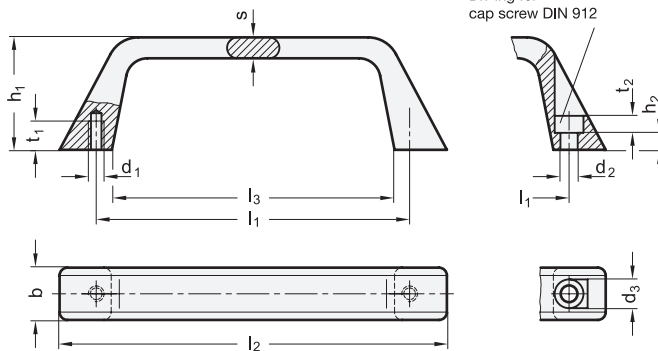
blank, ground **BL**

INFORMATION

The installation of cabinet "U" handles GN 728 can be carried out from the back (Type A) as well as from the operator's side (Type B). The hole centers dimension is identical on all variants. As a result they can be mounted in pairs opposite each other.

TECHNICAL INFORMATION

- Load rating information (see page A35)



* Complete with colour index of the Cabinet "U" handles (SW, SR or BL)

SW **SR** **BL**
RAL9005 RAL9006 blank

GN 728

Description	l ₁ ±0.25	b	d ₁	d ₂	d ₃	h ₁	h ₂	l ₂	l ₃	s	t ₁ min.	t ₂	Δ
GN 728-120-A*	120	22.5	M 6	-	11	42.5	-	147	108	8	10	-	90
GN 728-180-A*	180	27	M 8	-	13.5	47.5	-	214	165	10	12	-	180
GN 728-120-B*	120	22.5	-	6.4	11	42.5	6.5	147	108	8	-	6.5	80
GN 728-180-B*	180	27	-	8.4	13.5	47.5	7.5	214	165	10	-	8.5	172

GN 728.5

STAINLESS STEEL

Description	l ₁ ±0.25	b	d ₁	d ₂	d ₃	h ₁	h ₂	l ₂	l ₃	s	t ₁ min.	t ₂	Δ
GN 728.5-120-A	120	22.5	M 6	-	11	42.5	-	147	108	8	10	-	300
GN 728.5-120-B	120	22.5	-	6.4	11	42.5	6.5	147	108	8	-	8.5	252

